

The **Motic** Digital Microscope *patent pending*

**DMB5**

DMB5  
DIGITAL MICROSCOPE

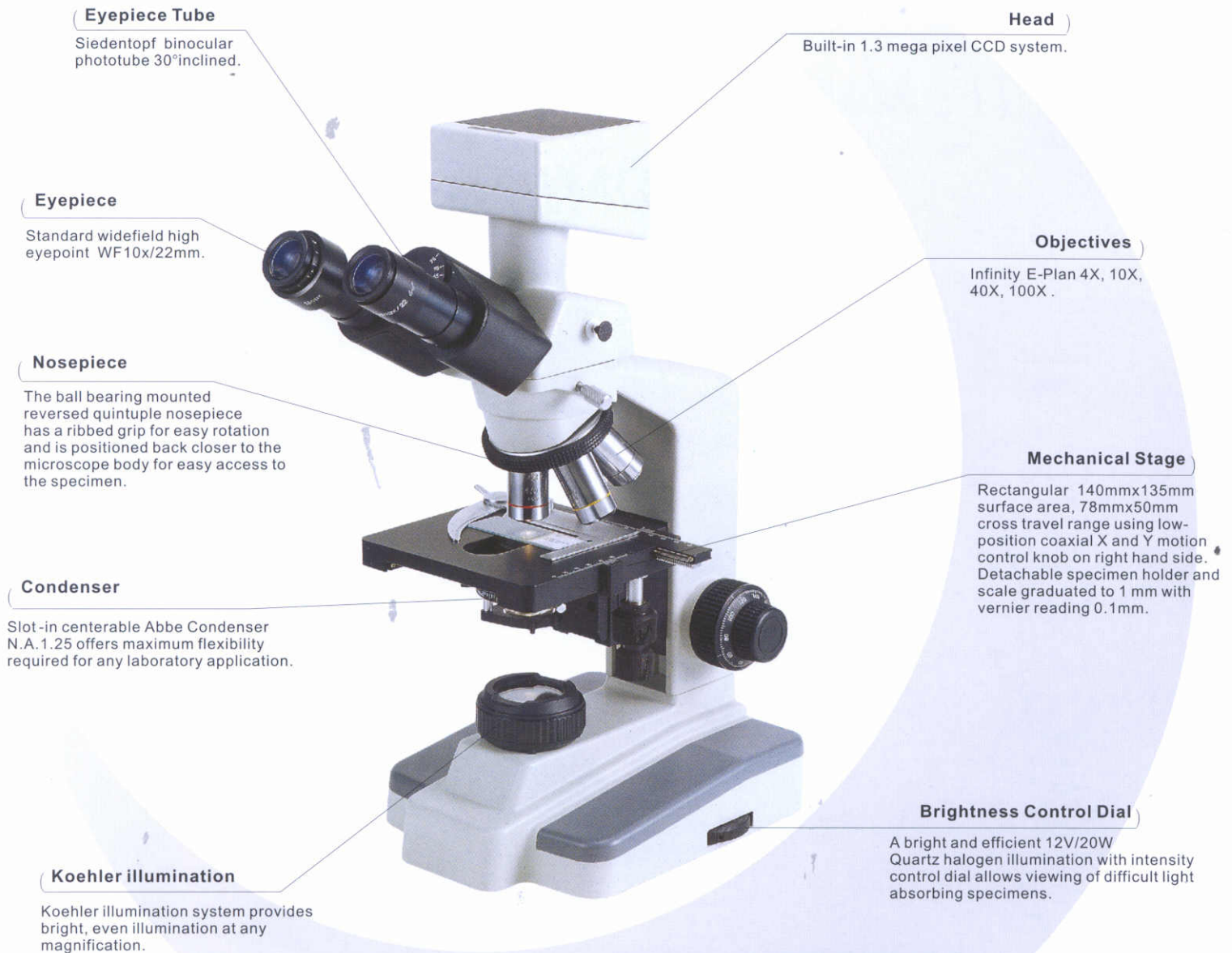


DMB5

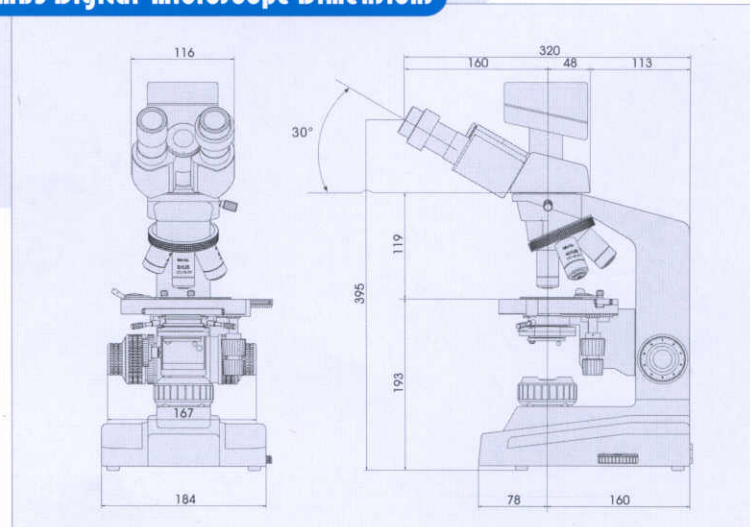
**An All-in-one system with 1.3 mega pixel resolution  
Digital portion made by Motic (Canada).**

# DM B5 , DIGITAL MICROSCOPE

## Color Corrected Infinity Optical System



### DMB5 Digital Microscope Dimensions



An All-in-one system with 1.3 mega pixel resolution  
Digital portion made by Motic (Canada).

**Motic**<sup>®</sup> DIGITAL MICROSCOPE



**DMB5** realizes our **infinity color corrected optical system**, equipped with ultra high 1.3 mega pixel resolution imager, signals are transmitted at high speed through IEEE1394 file-wire system, operated with our user friendly and powerful application software ,

- Motic Images 1.2
- Motic Images Advanced 3.0 [standard]
- MoticPro 5.0
- MoticMed 6.0

**With special features:**

- Super wide field 22mm eyepiece.
- Siedentopf binocular head .
- Centerable Abbe condenser.
- Kohler illumination.
- Optional accessories like Darkfield Condenser and Polarizing equipment are available.
- This digital microscope can also be used as a standard optical microscope.

■ **Darkfield kit** SG030202  
When darkfield condenser is applied, observation may be viewed through related 4x-40x objectives

■ **Koehler illumination** SG040012  
With iris diaphragm fitting one's need for adjustment requirement.

**Optional Accessories**



■ **Polarizing set** SP080014  
This attachment consists of a polarizing filter attached under the condenser and an analyzer placed under the eyepiece tube. A graduated rotating slider holder to attach to the mechanical stage.



■ **Phase Contrast Attachment**

<b>Spare parts</b>	<b>Order No.</b>
5 position turret condenser	SG030314
Centering telescope	SG069993
10x objective infinity phase plan	SG01S02288
20x objective infinity phase plan	SG01S03288
40x objective infinity phase plan	SG01S04288
100x Oil objective infinity phase plan	SG01S06288



■ **Eyepiece**

<b>Spare parts</b>	<b>Order No.</b>
WF10x/22mm	SG02S0124
WFx/22mm (with diopter adjustable)	SG02S0123

■ **Objectives Infinity E-plan**

<b>Spare parts</b>	<b>Order No.</b>
4x objective infinity E-plan	SG01S01272
10x objective infinity E-plan	SG01S02272
40x objective infinity E-plan	SG01S04272
100x Oil objective infinity E-plan	SG01S06272



■ **Objectives Infinity plan**

<b>Spare parts</b>	<b>Order No.</b>
4x objective infinity plan	SG01S01286
10x objective infinity plan	SG01S02286
20x objective infinity plan	SG01S03286
40x objective infinity plan	SG01S04286
100x Oil objective infinity plan	SG01S06286



■ **3 position sliding phase contrast condenser kit** SG030315



■ **Individual phase contrast condensers**

<b>Spare parts</b>	<b>Order No.</b>
10x objective infinity phase plan	SG069990
20x objective infinity phase plan	SG069991
40x objective infinity phase plan	SG069992
100x Oil objective infinity phase plan	SG069996

**Other accessories**

<b>Spare parts</b>	<b>Order No.</b>
Blue filter (Diameter 45 mm)	SG060727
Yellow filter (Diameter 45mm)	SG060728
Green filter (Diameter 45 mm)	SG060726
Frosted glass (Diameter 45 mm)	SG060729

<b>Spare parts</b>	<b>Order No.</b>
Eyepieces Rubber cup 1 pair	SB150001
Halogen lamp bulb 12V 20W	SE060098
Dust cover	SB110005

**Specifications**

**Imaging Chip**

Type	1.3 Mega pixel CMOS sensor
Resolution	1280 x 1024 active pixels
Image Array Size	12.3mm, diagonal
Pixel Pitch	7.5 μm x 7.5 μm
Max. Frame Rate (16MHz)	20 fps at 8-bit 640 x 480 9.3 fps at 8-bit 1280 x 1024 1500 fps at 8-bit 1280 x 8
Color Mosaic	RGB Bayer with microlenses
Shutter	Electronic rolling
Dynamic Range	66dB S/N ratio
Sensitivity	3.8 volt/Lux-set
Gamma	Software programmable

**Electrical**

Voltage	8V-30V DC
Power	3 W typ. (250mA at 12V, supplied by 1394 cable)

**Physical**

Operating Temp	+5° C to +60° C
Lens mount	C-mount adapter (lens not supplied)
IR Filter	Integrated into C-mount adapter
Weight	80g (without lens)

**Interface**

Operating System	Windows® 98 SE/ ME /2000 /NT4.0® Mac OS9®
Data Format	8-bit or 10-bit, uncompressed
Interface Type	2 IEEE-1394a, 6-pin ports (400 Mbits/s)
Max. Data Rate	24 M pixels / sec (8-bit pixels) 12 M pixels / sec (10-bit pixels)

**Software Command and Control**

Color Gain	Independent Red, Green, Blue controls
x2, x4 Decimation	Increased frame rates through sub-sampling
Exposure	Up to 400 ms exposures in still mode
Flip and Mirror Modes	Change image orientation dynamically
Gamma	User configurable
Digital Pan, Tilt, Zoom	Flexible sub-windowing capabilities
8 or 10 bit pixels	Suitable for high-definition images
Ext Trigger Input	Up to 7 fps at 1280 x 1024
External Flash	-2 s/+400 ms programmable delay with respect to start of exposure in 1 ms increments
12C serial bus	Communicate with other vision system elements
External Shutter	TTL active high shutter control